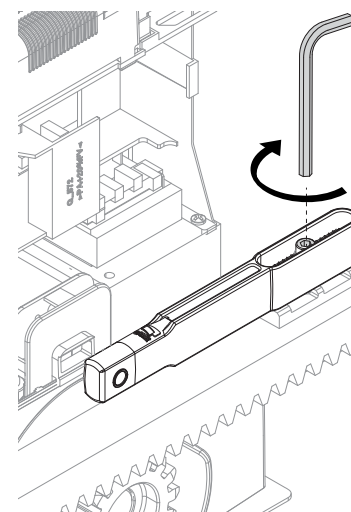
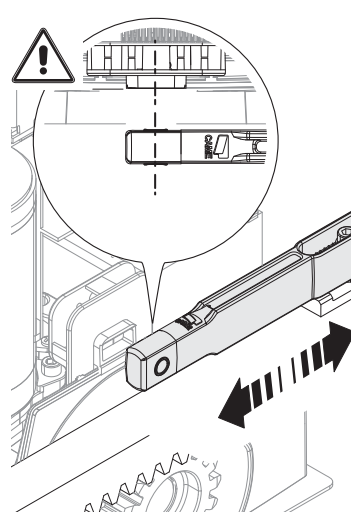
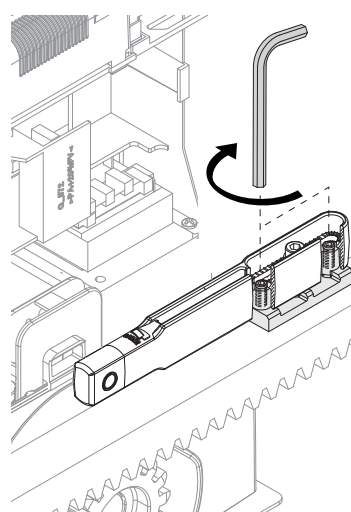
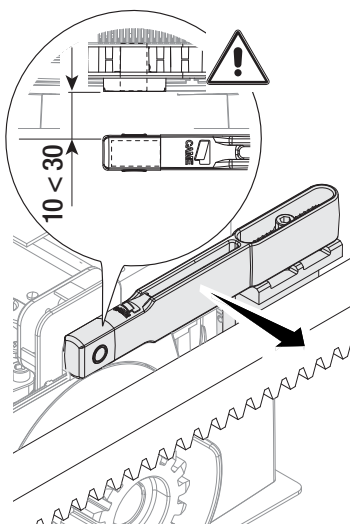
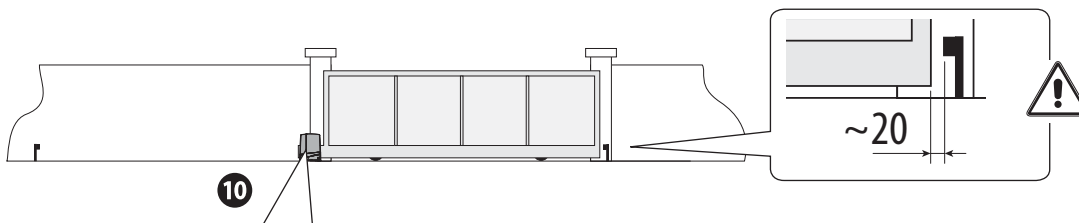
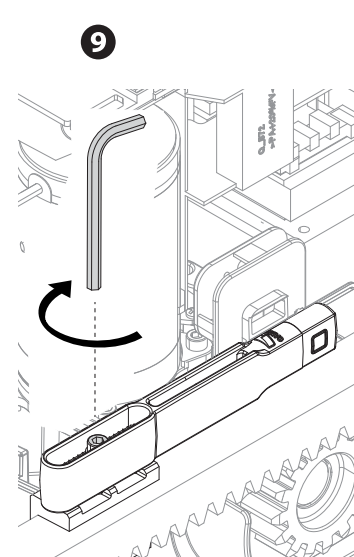
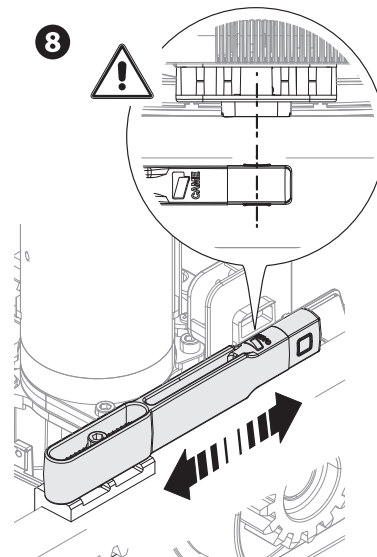
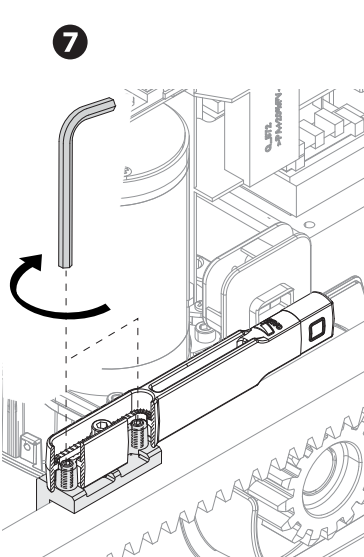
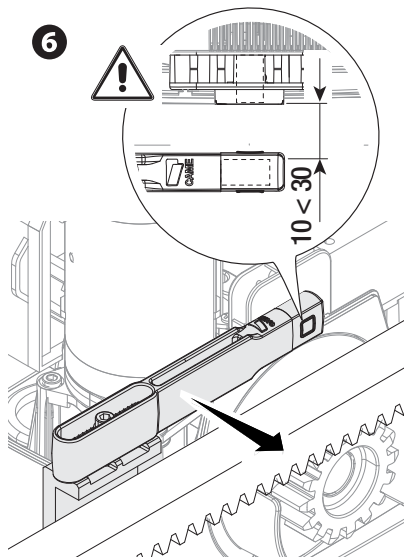
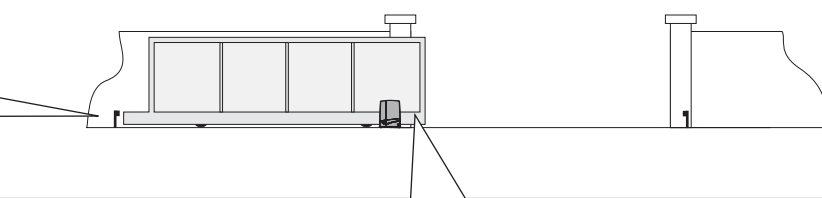
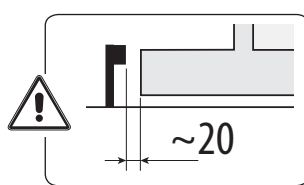
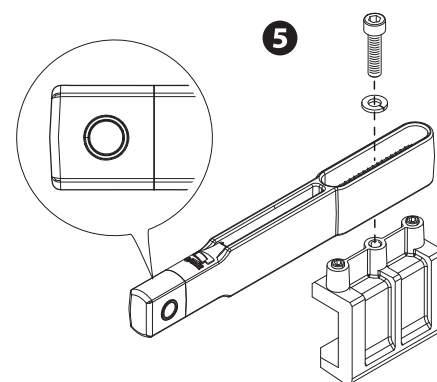
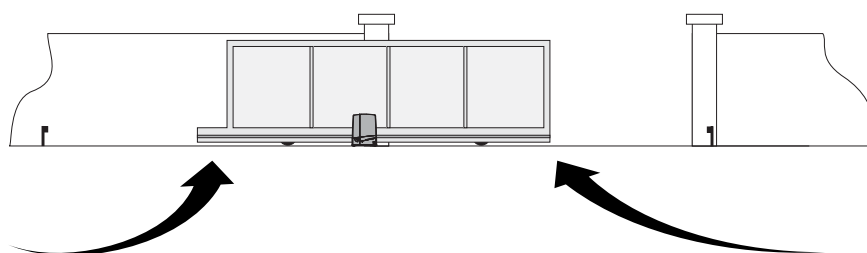
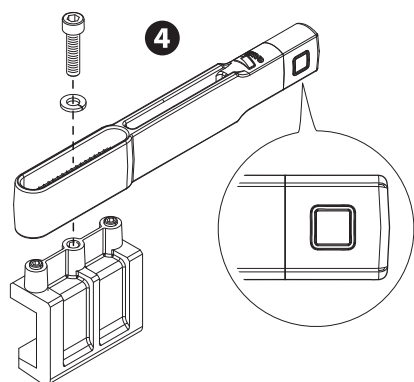
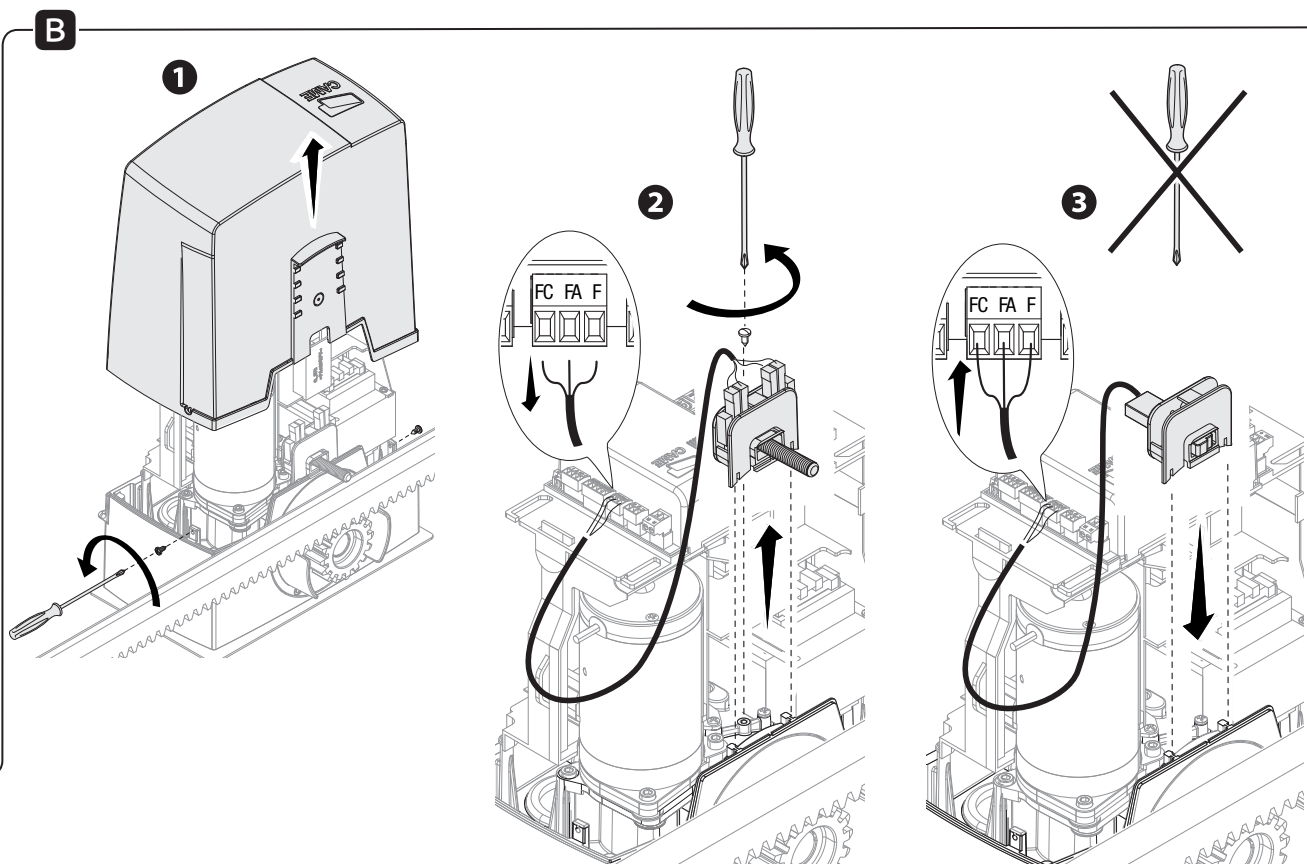
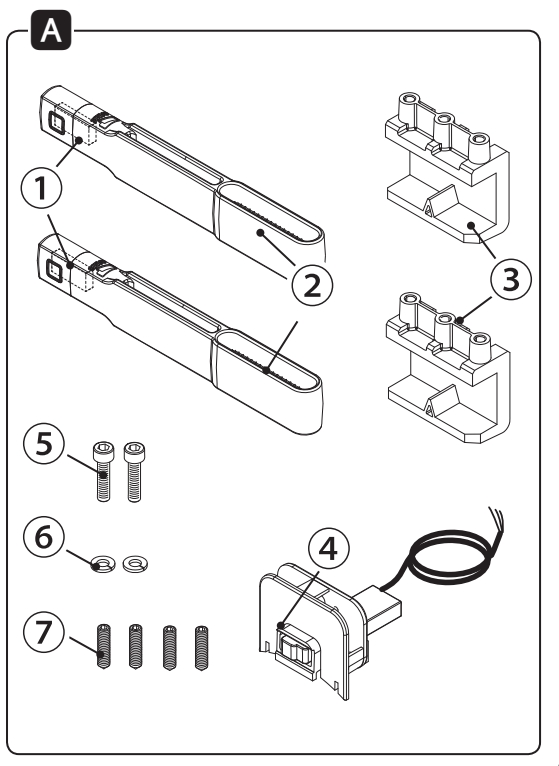


RSDN002



IT	Italiano
EN	English
FR	Français
RU	Русский

ITALIANO

Avvertenze generali

- L'installazione deve essere effettuata da personale qualificato ed esperto e nel pieno rispetto alle normative vigenti.
- È vietato utilizzare il prodotto in modo improprio o per scopi diversi da quelli previsti.
- Prima di eseguire i collegamenti, togliere l'alimentazione dal dispositivo onnipolare.

Descrizione

Finecorsa magnetico per cancelli scorrevole.

Dati tecnici

Tipo	RSDN002
Grado di protezione (IP)	54
Intermittenza/Lavoro (%)	SERVIZIO INTENSIVO
Temperatura di esercizio (°C)	-20 ÷ +55
Classe di isolamento	II
Peso (kg)	0,350

Descrizione delle parti A

- Magnete
- Alette
- Supporti
- Sensore magnetico
- Viti di fissaggio M6X20
- Rondelle Ø 6
- Viti senza testa M6X25

Installazione B

Rimuovere il coperchio dell’automazione svitando le viti laterali **(1)**.

Scollegare il micro del finecorsa meccanico a molla dalla scheda elettronica e rimuoverlo dalla cassa svitando la vite **(2)**.

Inserire il finecorsa magnetico nella cassa e collegarlo ai morsetti F (filo blu) - FA (filo marrone) - FC (filo nero) della scheda elettronica **(3)**.

△ Assemblare le alette con i supporti come da disegno.

Aletta magnetica di finecorsa in chiusura **(4)**.

Aletta magnetica di finecorsa in apertura **(5)**.

FRANÇAIS

Instructions générales

- L'installation doit être effectuée par du personnel qualifié et dans le plein respect des normes en vigueur.
- Il est interdit d'utiliser le produit de façon impropre ou à des fins autres que celles prévues.
- Avant d'effectuer les branchements, mettre le dispositif onnipolaire hors tension.

Description

Fin de course magnétique pour portail coulissant.

Données techniques

Type	RSDN002
Degré de protection (IP)	54
Intermittence/Fonctionnement (%)	SERVICE INTENSIF
Température de fonctionnement (°C)	-20 à +55
Classe d'isolation	II
Poids (Kg)	0,350

Description des parties A

- Aimant
- Ailettes
- Supports
- Capteur magnétique
- Vis de fixation M6X20
- Rondelles Ø 6
- Vis sans tête M6X25

Installation B

Enlever le couvercle de l'automatisme en dévissant les vis latérales **(1)**.

Déconnecter le micro-interrupteur du fin de course mécanique à ressort de la carte électronique et l'extraire de la caisse en dévissant la vis **(2)**.

Introduire le fin de course mécanique dans la caisse et le connecter aux bornes F (fil bleu) - FA (fil marron) - FC (fil noir) de la carte électronique **(3)**.

△ Assembler les ailettes et les supports comme illustré.

Ailette magnétique de fin de course en fermeture **(4)**.

Ailette magnétique de fin de course en ouverture **(5)**.

Determinazione dei punti di finecorsa

Con il motoriduttore sbloccato e con il cancello aperto (circa 20 mm dalla battuta di arresto), inserire l’aletta magnetica di finecorsa in apertura sulla cremagliera tenendo il magnete a una distanza compresa tra 10 e 30 mm dal sensore magnetico **(6)**.

Fissare il supporto dell’aletta alla cremagliera con le viti senza testa **(7)**.

Posizionare il magnete dell’aletta in perpendicolare rispetto al sensore magnetico **(8)**.

Fissare l’aletta con la vite **(9)**.

Allo stesso modo, regolare l’aletta magnetica di finecorsa in chiusura con il cancello chiuso **(10)**.

DICHIARAZIONE ce - CAME S.p.A. dichiara che questo prodotto è conforme ai requisiti essenziali e alle altre disposizioni pertinenti stabilite dalla direttiva 2006/42/CE e 2014/30/UE.
DISMISSIONE E SMALTIMENTO - I componenti dell'imballo (cartone, plastica, etc.) sono assimilabili ai rifiuti solidi urbani. I componenti del prodotto (metalli, schede elettroniche, batterie, etc.) vanno separati e diff erenziati. Per le modalità di smaltimento verifi care le regole vigenti nel luogo d'installazione.
NON DISPERDERE NELL'AMBIENTE!
I CONTENUTI DEL MANUALE SONO DA RITENERSI SUSCETTIBILI DI MODIFICA IN QUALSIASI MOMENTO SENZA OBBLIGO DI PREAVVISO. LE MISURE, SE NON DIVERSAMENTE INDICATO, SONO IN MILLIMETRI.

ENGLISH

General warnings

- The installation must be done by qualified, expert technicians and in full compliance with applicable laws and regulations.
- It is forbidden to use this product wrongfully or for reasons other than its intended purpose.
- Before making any connections, cut off the mains power supply from the omnipolar device.

Description

Magnetic limit-switch

Technical data

Type	RSDN002
Protection rating (IP)	54
Duty cycle (%)	INTENSIVE USE
Operating temperature (°C)	-20 ÷ +55
Insulation class	II
Weight (Kg)	0.350

Description of parts A

- Magnet
- Tabs
- Supports
- Magnetic sensor
- M6X20 fastening bolts
- Ø 6 washers
- M6X25 headless bolts

Installation B

Remove the casing from the operator by turning the side screws **(1)**.

Unplug the micro-switch from the spring-loaded mechanical stop from the control board and remove it altogether by loosening the screw **(2)**.

Fit the magnetic limit-switch into the casing and connect it to terminals F (blue wire), FA (brown wire) and FC (black wire) on the control board **(3)**.

△ Assemble the tabs with the supports as shown in the drawing.

Closing limit-switch magnetic tab **(4)**.

Opening limit-switch magnetic tab **(5)**.

РУССКИЙ

Общие правила безопасности

- Монтаж должен производиться квалифицированным персоналом в полном соответствии с требованиями действующих норм безопасности.
- Запрещается использовать изделие не по назначению или в целях, отличных от указанных.
- Перед тем как приступить к выполнению электрических подключений, отключите электропитание с помощью главного выключателя.

Описание

Магнитные концевые выключатели для автоматики откатных ворот.

Технические характеристики

Модель	RSDN002
Класс защиты (IP)	54
Интенсивность использования (%)	ИНТЕНСИВНОГО ИСПОЛЬЗОВАНИЯ
Диапазон рабочих температур (°C)	-20 – +55
Класс изоляции	II
Масса (кг)	0,350

Основные компоненты A

- Магнит
- Держатель магнита
- Крепление
- Магнитный датчик
- Крепежные винты M6X20
- Шайбы Ø 6
- Стопорные винты M6X25

Монтаж B

Снимите крышку с привода, отвернув боковые саморезы **(1)**.

Отсоедините провода механических концевых выключателей от платы управления и вытащите блок концевых выключателей из корпуса, отвернув винт **(2)**.

Вставьте магнитный датчик в корпус и подключите его к контактам F (синий провод),

Establishing the limit-switch points

With the gearmotor released and the gate open at about 20 mm from the strike plate, fit the opening limit-switch magnetic tab onto the rack keeping the magnet between 10 and 30 mm from the magnetic sensor **(6)**.

Fasten the tab support to the rack using the headless bolts **(7)**.

Place the tab magnet perpendicularly to the magnetic sensor **(8)**.

Tighten the bolt to fasten the tab **(9)**.

Likewise, set the closing limit-switch magnetic tab with the gate closed, this time. **(10)**.

DECLARATION ce - CAME S.p.A. declares that this device conforms to the essential, pertinent requirements provided by directives 2006/42/CE and 2014/30/UE.
DISMANTLING AND DISPOSAL The packaging materials (cardboard, plastic, and so on) should be disposed of as solid household waste. The product components (metals; control boards, batteries, etc.) must be separated from other waste for recycling. Check your local laws to properly dispose of the materials. DO NOT DISPOSE OF IN NATURE!
THE CONTENTS OF THIS MANUAL MAY BE CHANGED AT ANY TIME WITHOUT PRIOR NOTICE.
THE MEASUREMENTS, UNLESS OTHERWISE STATED, ARE IN MILLI-METERS.

DECLARATION OF CONFORMITY

I, the undersigned, declare that the product described in the attached technical data sheet complies with the requirements of the CE marking.

I declare that the product is in conformity with the requirements of the CE marking.

I declare that the product is in conformity with the requirements of the CE marking.

I declare that the product is in conformity with the requirements of the CE marking.

I declare that the product is in conformity with the requirements of the CE marking.

I declare that the product is in conformity with the requirements of the CE marking.

I declare that the product is in conformity with the requirements of the CE marking.

I declare that the product is in conformity with the requirements of the CE marking.

I declare that the product is in conformity with the requirements of the CE marking.

I declare that the product is in conformity with the requirements of the CE marking.

I declare that the product is in conformity with the requirements of the CE marking.

I declare that the product is in conformity with the requirements of the CE marking.

I declare that the product is in conformity with the requirements of the CE marking.

I declare that the product is in conformity with the requirements of the CE marking.

I declare that the product is in conformity with the requirements of the CE marking.

I declare that the product is in conformity with the requirements of the CE marking.

I declare that the product is in conformity with the requirements of the CE marking.

I declare that the product is in conformity with the requirements of the CE marking.

I declare that the product is in conformity with the requirements of the CE marking.

I declare that the product is in conformity with the requirements of the CE marking.

I declare that the product is in conformity with the requirements of the CE marking.

I declare that the product is in conformity with the requirements of the CE marking.

I declare that the product is in conformity with the requirements of the CE marking.

I declare that the product is in conformity with the requirements of the CE marking.

I declare that the product is in conformity with the requirements of the CE marking.

I declare that the product is in conformity with the requirements of the CE marking.

I declare that the product is in conformity with the requirements of the CE marking.

I declare that the product is in conformity with the requirements of the CE marking.

I declare that the product is in conformity with the requirements of the CE marking.

I declare that the product is in conformity with the requirements of the CE marking.